

# Keypad – 16 Button

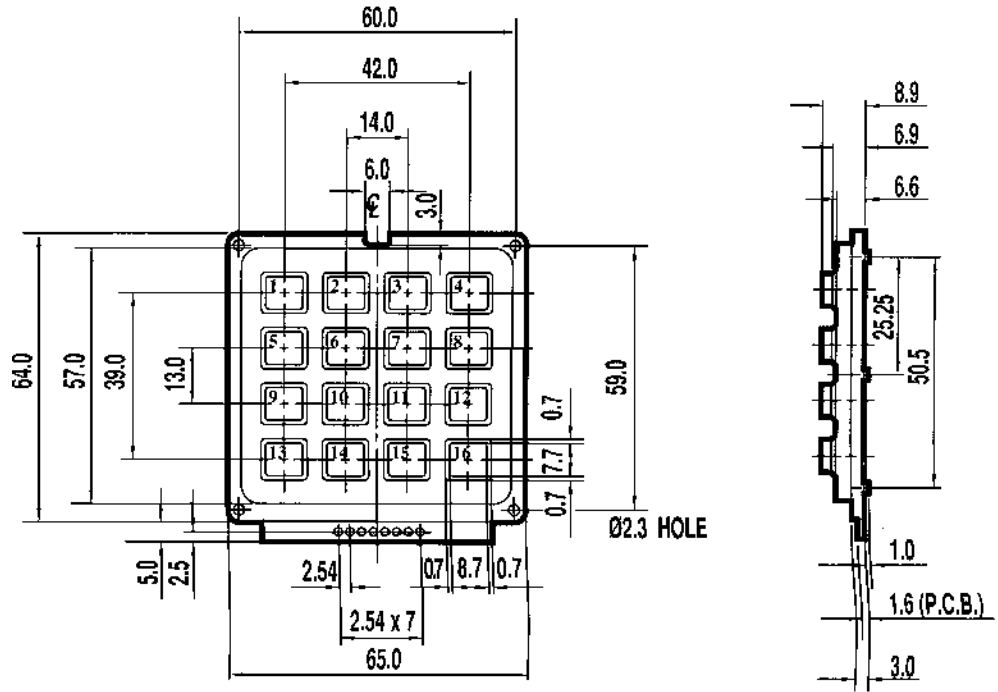
## 4 x 4 Matrix

Part No. 17KP1604

Back to [Keypad Model KP1604](#) Main Page

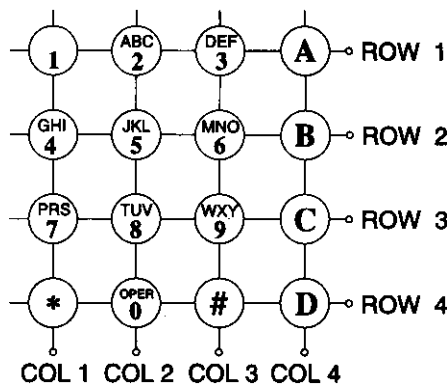
### GENERAL SPECIFICATION

- **Contact Rating:**  
20mA, 24VDC
- **Contact Resistance:**  
200 ohm max
- **Life:**  
1,000,000 cycles per key
- **Operating Temperature:**  
-20°C to +60°C
- **Storage Temperature:**  
-40°C to +65°C



ACTUATING FORCE: 100 ± 30 GRAMS.  
STROKE: 1.5 ± 0.5mm.

### CIRCUIT DIAGRAM



OUTPUT ARRANGEMENT	
Output Pin No	Symbol
1	COL 1
2	COL 2
3	COL 3
4	COL 4
5	ROW 1
6	ROW 2
7	ROW 3
8	ROW 4