

# SPECIFICATIONS

SLIDE SWITCH  
TYPE OF SWITCH 17SLDDD

1. RATING: DC. 30 V. 0.3 A.

## 2. MECHANICAL STRUCTURE

2.1 ROTATION TORQUE:            Kg cm OPERATION: 400± 200; g

2.2 STOPPER STRENGTH: 5 Kg FOR 1 MINUTE

2.3 STAKING OF TERMINALS: WHEN 400g/gs IS/ARE WEIGHTED ON TOP OF TERMINAL IN EVERY DIRECTION FOR ONE(1)MINUTE, LOOSE STAKING OF TERMINAL AND DAMAGE ON STATOR BOARD SHOULD NOT EXIST. (ONE TIME FOR TERMINAL)

## 3. ELECTRICAL STRUCTURE

3.1 DC. 5V. 1A. 1KHZ± 200HZ

CONTACT RESISTANCE: LESS THAN 20 mΩ ON DC. 5V. 1A. MEASURED BY VOLTAGE DECREASING METHOD OR MEASURED BY 1KHZ± 200HZ LESS THAN 2 mV.

3.2 INSULATION RESISTANCE: MORE THAN 100MΩ ON DC. 500V. MEASURED BY INSULATION TESTER.

3.3 WITHSTAND VOLTAGE: AC. 500 V. (50--60HZ.) FOR 1MIN.

## 4. HUMIDITY TEST

INSULATION RESISTANCE IS 10 MΩ OVER MEASURED AFTER 30 MINUTE(S) AFTER REMAINING SWITCH FOR 48 HOUR(S) AT THE CONDITION OF TEMPERATURE 40± 2°C AND HUMIDITY 90-95%.

5. TEMPERATURE RANGE: - 20°C - + 60°C

## 6. LIFE TEST

6.1 SPEED OF TESTING MACHINE:  $1\pi$  rad/sec. 19 次 /min.

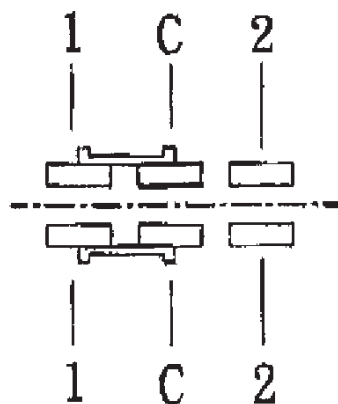
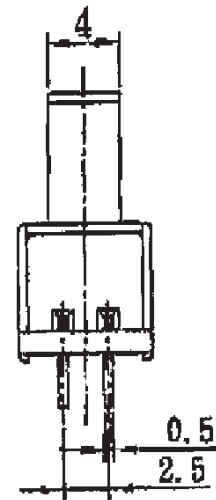
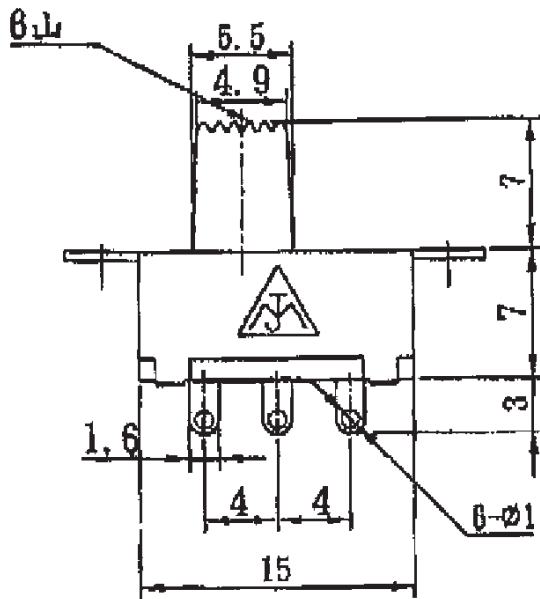
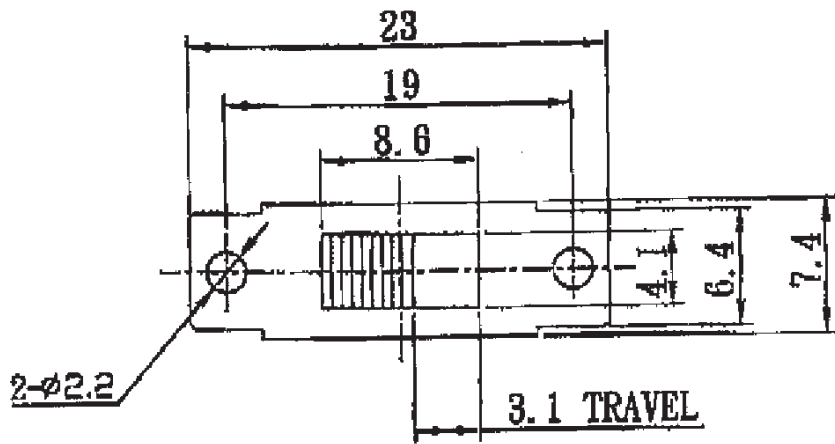
6.2 LOAD. NO LOAD.

6.3 SWITCHING: 10,000 CYCLES.

6.4 40 mΩ 以下, CONTACT RESISTANCE: LESS THAN 40 mΩ

6.5 CHANGE OF ROTATION TORQUE:            Kg cm

6.6 CHANGE OF SWITCHING TENSION: ± 30% g



1. 2poles 2positions  
 2. CHANGE OVER TIMING  
 NON SHORTING